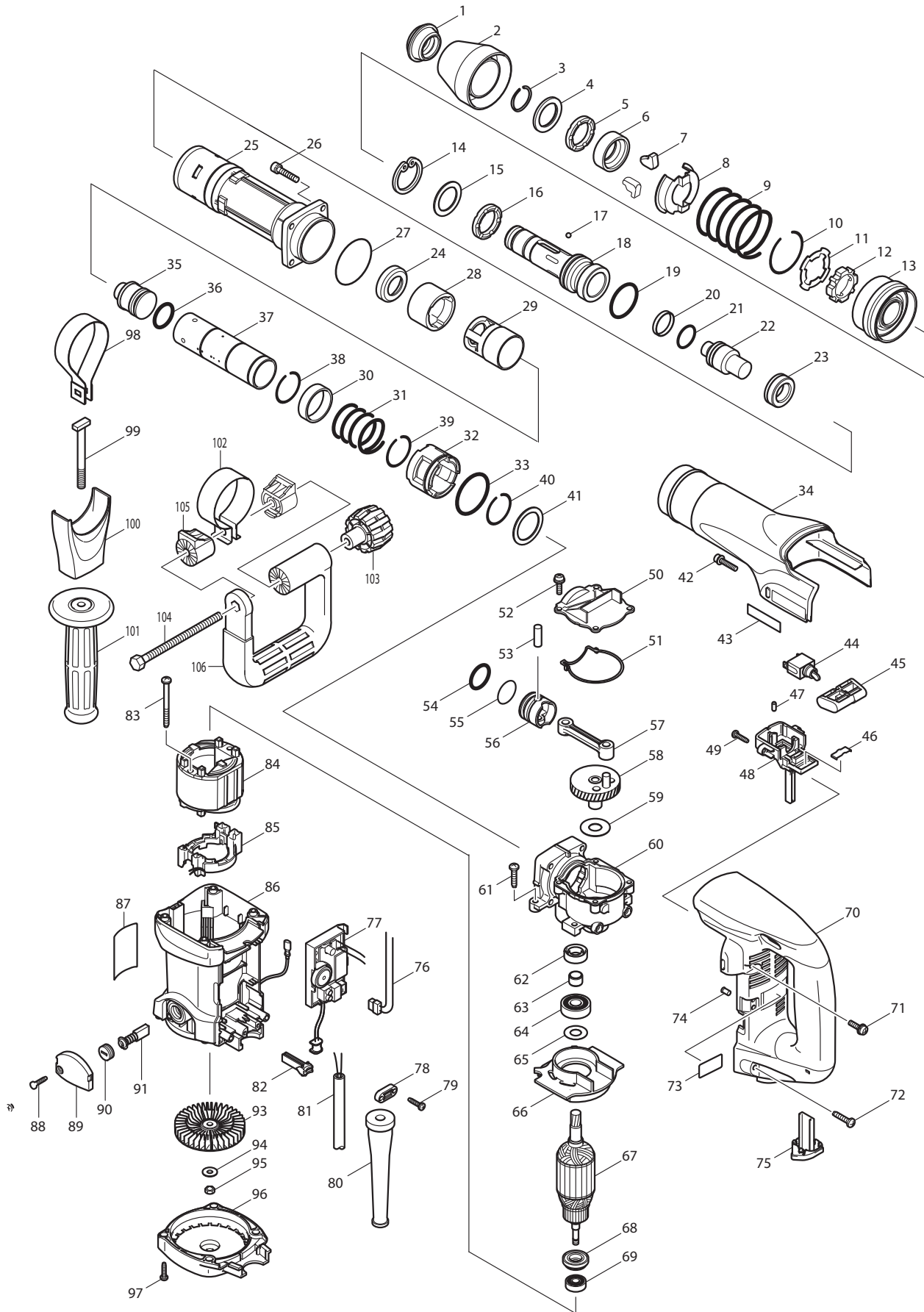




04 - 2010
HM0860C
SDS - MAX 11/16" DEMOLITION HAMMER



Item No.	Type	Sub	Part No.	Description (* See Service Changes on the bottom)	Qty	Unit
1			286269-2	TOOL HOLDER CAP	1	PC.
2			418351-1	CHUCK COVER	1	PC.
3			231984-3	RING SPRING 25	1	PC.
4			267272-2	FLAT WASHER 28	1	PC.
5	1		262110-3	* URETHAN RING 28	1	PC.
	2		424261-2	* RUBBER RING 28	1	PC.
6			331659-5	CHUCK RING	1	PC.
7			310108-5	TOOL RETAINER	2	PC.
8	1		345360-6	SPRING GUIDE	1	PC.
	2		346677-0	SPRING GUIDE	1	PC.
9			233387-7	COMPRESSION SPRING 52	1	PC.
10			233928-9	* RING SPRING 50	1	PC.
11	1		345371-1	* PLATE	1	PC.
	2		346141-1	* PLATE	1	PC.
12			310145-9	LOCK RING	1	PC.
13			418357-9	CHANGE RING	1	PC.
14	1		962211-4	* RETAINING RING R-42	1	PC.
	2		257960-9	* RETAINING RING(INT) ROUND R-42	1	PC.
15			267273-0	FLAT WASHER 29	1	PC.
16	1		262110-3	* URETHAN RING 28	1	PC.
	2		424261-2	* RUBBER RING 28	1	PC.
17			216002-8	STEEL BALL 4.8	4	PC.
18			324387-9	TOOL HOLDER	1	PC.
19			213527-3	O RING 38	1	PC.
20			213431-6	FLUORIDE RING 28	1	PC.
21			213394-6	O RING 23	1	PC.
22			324389-5	IMPACT BOLT	1	PC.
23			421852-0	RUBBER RING 20	1	PC.
24			267780-3	CUP WASHER 23	1	PC.
25			318052-0	BARREL	1	PC.
26			922351-0	HEX. SOCKET HEAD BOLT M6X30	4	PC.
27			213656-2	O RING 53	1	PC.
28	1		450097-3	* GUIDE RING	1	PC.
	2		451639-6	* GUIDE RING	1	PC.
29			450098-1	SLIDE SLEEVE	1	PC.
30			331660-0	RING 36	1	PC.
31			233386-9	COMPRESSION SPRING 37	1	PC.
32			317719-7	CYLINDER GUIDE	1	PC.
33			213611-4	O RING 46	1	PC.
34			183719-7	CRANK HOUSING COVER	1	PC.
		INC.		Item No. 43		
35			324388-7	STRIKER	1	PC.
36			213958-6	O RING 24	1	PC.
37			331658-7	CYLINDER 32	1	PC.
38			233927-1	RING SPRING 34	1	PC.
39			233927-1	RING SPRING 34	1	PC.
40			233927-1	RING SPRING 34	1	PC.
41			267079-6	FLAT WASHER 34	1	PC.
42			922243-3	HEX. SOCKET HEAD BOLT M5X25	1	PC.
43			819063-3	MAKITA LABEL	2	PC.
44			651423-1	SWITCH	1	PC.
45			418360-0	SWITCH LEVER	1	PC.
46			232209-8	LEAF SPRING	1	PC.
47			263027-3	RUBBER PIN 4	1	PC.
48			418361-8	SWITCH BOX	1	PC.
49			265995-6	TAPPING SCREW 4X18	2	PC.
50			418358-7	CRANK CAP	1	PC.

Item No.	Type	Sub	Part No.	Description (* See Service Changes on the bottom)	Qty	Unit
51			421851-2	SEAL RING	1	PC.
52			911233-1	PAN HEAD SCREW M5X20	4	PC.
53			268104-6	PIN 8	1	PC.
54			213958-6	O RING 24	1	PC.
55			213432-4	O RING 26	1	PC.
56			418349-8	PISTON	1	PC.
57			418350-3	CONNECTING ROD	1	PC.
58			153676-3	CRANK SHAFT COMPLETE	1	PC.
59			267166-1	FLAT WASHER 14	1	PC.
60			153678-9	CRANK HOUSING COMPLETE	1	PC.
		INC.	212151-9	NEEDLE BEARING 1412	1	PC.
		INC.	212157-7	NEEDLE BEARING 1412	1	PC.
61			266041-8	TAPPING SCREW 5X25	4	PC.
62			213231-4	OIL SEAL 15	1	PC.
63			331596-3	SLEEVE 12	1	PC.
64			211137-0	BALL BEARING 6201LLU	1	PC.
65			253759-0	FLAT WASHER 12	1	PC.
66			418355-3	BAFFLE PLATE	1	PC.
67			513561-6	ARMATURE ASS'Y 115V	1	PC.
		INC.		Item No. 68,69		
68			681650-6	INSULATION WASHER	1	PC.
69			210005-4	BALL BEARING 608DDW	1	PC.
70			418366-8	HANDLE	1	PC.
71			911233-1	PAN HEAD SCREW M5X20	2	PC.
72			266041-8	TAPPING SCREW 5X25	2	PC.
73			815954-6	HM0860C SERIAL NO.LABEL	1	PC.
74			416285-2	ACRYLIC PIN 5	2	PC.
75			418359-5	HANDLE CAP	1	PC.
76			638294-3	LEAD UNIT	1	PC.
77			631555-0	CONTROLLER	1	PC.
78			687063-9	STRAIN RELIEF	1	PC.
79			265995-6	TAPPING SCREW 4X18	2	PC.
80			682560-0	CORD GUARD 10	1	PC.
81			664276-9	CORD W/PLUG 2P-16-5.0M, SJ	1	PC.
82			418353-7	FIX ROD	1	PC.
83			266044-2	TAPPING SCREW 5X60	2	PC.
84			634506-2	FIELD 115V	1	PC.
85			638293-5	SUPPORT COMPLETE	1	PC.
86			153677-1	MOTOR HOUSING COMPLETE	1	PC.
		INC.	638295-1	LEAD UNIT	1	PC.
		INC.	643754-2	BRUSH HOLDER	1	PC.
		INC.	643757-6	BRUSH HOLDER 5X11	1	PC.
87			850965-4	NAME PLATE HM0860C	1	PC.
88			265995-6	TAPPING SCREW 4X18	2	PC.
89			418362-6	BRUSH HOLDER COVER	2	PC.
90			643750-0	BRUSH HOLDER CAP	2	PC.
91	1		191961-6	A.C. CARBON BRUSH CB-304 2PC/SET (W/O ORIGIN)	1	SET
	2		194997-4	CARBON BRUSH SET CB-304 2PC/SET (W/ ORIGIN)	1	PC.
93			135058-1	FAN 76 ASS'Y	1	PC.
94			253047-5	FLAT WASHER 6	1	PC.
95			931303-0	HEX. NUT M6	1	PC.
96			418354-5	REAR COVER	1	PC.
97			265995-6	TAPPING SCREW 4X18	4	PC.
98			345361-4	GRIP SPRING 60	1	PC.
99			266322-0	SQUARE BOLT M8X80	1	PC.
100			418363-4	SIDE GRIP BASE 60	1	PC.
101	1		152554-4	GRIP 36 COMPLETE	1	PC.

Item No.	Type	Sub	Part No.	Description (* See Service Changes on the bottom)	Qty	Unit
		2	158131-0	GRIP 36 COMPLETE	1	PC.
102			152620-7	SIDE HANDLE BASE 60 COMPLETE	1	PC.
103			252640-2	WING NUT M8	1	PC.
104			265439-6	HEX. BOLT M8X150	1	PC.
105			417002-3	SIDE HANDLE CAM	2	PC.
106			417003-1	SIDE HANDLE	1	PC.
<u>ACCESSORIES</u>				- See Catalogue or visit www.makita.ca for optional accessory -		
A01	1		181573-3	GREASE VESSEL 93G	1	PC.
	2		194683-7	GREASE VESSEL SET	1	PC.
A02			824708-0	PLASTIC CARRYING CASE	1	PC.
		INC.	162202-7	LATCH	2	PC.
		INC.	416549-4	HANDLE	1	PC.
		INC.	416556-7	COVER	2	PC.
		INC.	819140-1	MAKITA LOGO LABEL	1	PC.
A03			134909-5	SIDE HANDLE ASSY	1	PC.
		INC.		Item No. 102 - 106		